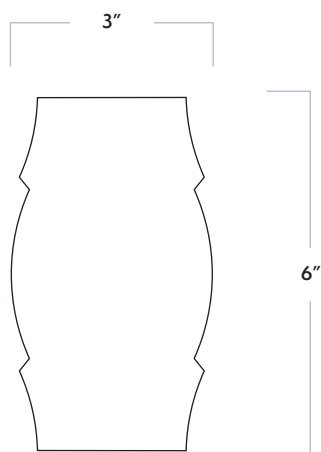


# Robert A.M. Stern™

## Ovolo Crackle

DATE REVISED: FEBRUARY 2024

# WALKER ZANGER™



**MATERIAL** Ceramic

**FINISH** Crackle

**THICKNESS** 3/8"

**SHEET SIZE** 3" x 6"

**COVERAGE SQFT/PIECE** 0.125 SqFt

**MOUNTING** Loose

### AVAILABLE COLORS



Frost

### RECOMMENDED USAGES



Commercial Interior Wall



Residential Interior Wall

### MATERIAL DATA



V1 Color Variation

### MAINTENANCE



Sealing is required



Clean with a damp cloth and a gentle, non-acidic soap

### ADDITIONAL NOTES

Robert A.M. Stern™ Ovolo tiles are also available in gloss and matte finishes. Shower wall, wet area, and any floor applications are NOT recommended for any product with a crackle glaze. Crackle glazes should be sealed prior to and after grouting. Contact your nearest sales account executive for more details on available products. For further questions/information about additional usages, please consult with your installer.

**Robert A.M. Stern™**  
**Ovolo Crackle**

DATE REVISED: FEBRUARY 2024

